

**BAJAJ STEEL INDUSTRIES LTD  
NAGPUR**

**ONLINE STORES FOR SPARE  
PARTS (E-COMMERCE)**



CIN NO. L27100MH1961PLC011936

Careers | Stock Value | Site Map

Search input field with magnifying glass icon

Home

Group Profile

Vision & Mission

News & Media

Investor Relations

Feedback

Contact us

Enquiry

- Company Profile
- Infrastructure
- Products & Services
- Quality
- Spares Enquiry **NEW**
- Our Installations
- Client Speak
- Manufacturing Agreements
- Cotton Trading

Quick Links

- Technical Papers
- Download Brochures



Featured Videos

Group Companies

- Tashi India Ltd.
- LUK Plastcon Ltd.

CLICK HERE FOR SPARE ENQUIRY



New Bajaj Plant at MIDC Hingna, Nagpur

Latest News | Installation of seed cotton drying and pre-cleaning at Punjab Agricultural Mandi Board...

**BAJAJ GINNING & PRESSING MACHINERY**

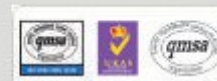
**BAJAJ-CEC DELINTING & DECORTICATING MACHINERY**

**BAJAJ STEEL BUILDING (PEB)**

General Terms & Conditions

Bajaj Award & Recognitions

Customer Login



- Company Profile
- Infrastructure
- Products & Services
- Quality
- Spares Enquiry **NEW**

- + Download Catalog
  - Bajaj Double Roller Cotton Gin Jumbo / Special / Extra long Model
  - Bajaj Double Roller Cotton Gin Golden Jubilee Model

- Our Installations
- Client Speak
- Manufacturing Agreements
- Cotton Trading

Quick Links

- Technical Papers
- Download Brochures

Featured Videos

Group Companies

- Tashi India Ltd.
- LUK Placton Ltd.

## Spares Part Details

SELECT THE MODEL REQUIRED

Click here for Spares Enquiry



Double Roller Cotton Gin & Auto Feeder  
SPARES PARTS CATALOG

DOWNLOAD

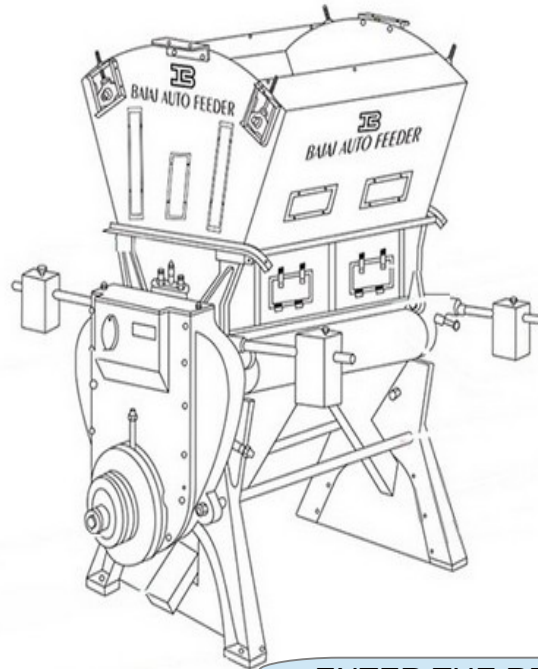
Bajaj Double Roller Cotton Gin Jumbo / Special / Extra long Model

Bajaj Double Roller Cotton Gin Golden Jubilee Model

Home | My Cart

BAJAJ DR GIN WITH AUTO FEEDER

SELECT THE DESIRED ASSEMBLY



- AUTOFEEDER ASSEMBLY
- BEATER SHAFT ASSEMBLY
- CROSS BAR ASSEMBLY
- GEAR BOX ASSEMBLY BACK SIDE
- GEAR BOX ASSEMBLY FRONT SIDE
- HUB ASSEMBLY
- OFF SIDE FRAME & SWING LEVER ASS
- RAIL ASSEMBLY
- ROLLER SHAFT ASSEMBLY
- SEED GUARD ASSEMBLY

Click on Assembly to Enquire

OR

ENTER THE REQUIRED MATERIAL IN SEARCH TERM

Quick Find

Search

Use keywords to find the product you are looking for.





Cart Contents



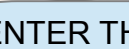





Home My Cart

BAJAJ DR GIN WITH AUTO FEEDER » BEATER SHAFT ASSEMBLY

BEATER SHAFT ASSEMBLY

ONCE QUANTITY ENTERED  
CLICK ON ADD TO CART

Add to Cart

SR NO	PART NUMBER			DESCRIPTION	QTY PER M/C	PIC	Add QTY	REMARK
	SPECIAL	EXTRA LONG	JUMBO					
1	<input type="radio"/> 31	<input type="radio"/> E-31	<input checked="" type="radio"/> J-31	BEATER SHAFT	1		<input type="text" value="10"/>	<input type="text"/>
2	<input type="radio"/> 32	<input type="radio"/> 32	<input checked="" type="radio"/> J-32	BEATER ARM	3		<input type="text" value="20"/>	<input type="text" value="ENSURE PROPER PAINTING"/>
3	<input type="radio"/> 154	<input type="radio"/> 154	<input type="radio"/> J-154	SPRING WASHER 5/8"	3		<input type="text"/>	<input type="text"/>
4	<input type="radio"/> 111	<input type="radio"/> 111	<input checked="" type="radio"/> J-111	HEX BOLT 5/8" X 2-1/2"	3		<input type="text" value="12"/>	<input type="text"/>
5	<input type="radio"/> 151	<input type="radio"/> 151	<input checked="" type="radio"/> J-151	HOLLOW WASHER	3		<input type="text" value="0"/>	<input type="text"/>
6	<input type="radio"/> 151-A	<input type="radio"/> 151-A	<input checked="" type="radio"/> J-151-A	HOLLOW WASHER FOR BEATER SHAFT J	1		<input type="text" value="0"/>	<input type="text"/>
7	<input type="radio"/> S-41-H	<input type="radio"/> S-41-H	<input checked="" type="radio"/> J-41-H	HOUSING COVER J	1		<input type="text" value="0"/>	<input type="text"/>
8	<input type="radio"/> S-41-G.1	<input type="radio"/> S-41-G.1	<input checked="" type="radio"/> J-41-G.1	OIL SEAL 55 X 65 X 6	1		<input type="text" value="0"/>	<input type="text"/>

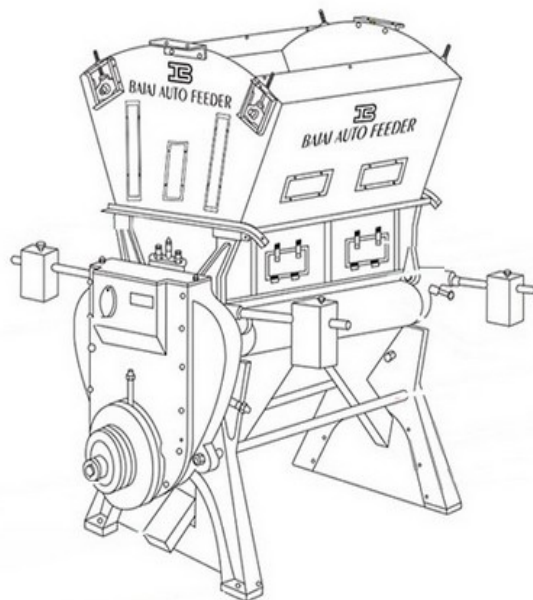
SELECT THE MODEL  
REQUIRED

ENTER THE REMARK  
IF REQUIRED

ENTER THE REQUIRED  
QUANTITY

Home My Cart

BAJAJ DR GIN WITH AUTO FEEDER



- AUTOFEEDER ASSEMBLY
- BEATER SHAFT ASSEMBLY
- CROSS BAR ASSEMBLY
- GEAR BOX ASSEMBLY BACK SIDE
- GEAR BOX ASSEMBLY FRONT SIDE
- HUB ASSEMBLY
- OFF SIDE FRAME & SWING LEVER ASS
- RAIL ASSEMBLY
- ROLLER SHAFT ASSEMBLY
- SEED GUARD ASSEMBLY

[Click on Assembly to Enquire](#)

AGAIN  
SELECT THE  
DESIRED  
ASSEMBLY

Quick Find

Search

Use keywords to find the product you are looking for.





Cart Contents (42)

Home My Cart

ONCE REQUIRED SPARES ARE SELECTED CLICK ON "MY CART"

Cart Contents

What's In My Cart?

Product(s)



BEATER SHAFT  
- Sap Code: JUMBO J-31

10 Update Or Remove



BEATER ARM  
- Sap Code: JUMBO J-32  
- Remark: ENSURE PROPER PAINTING

20 Update Or Remove



HEX BOLT 5/8" X 2-1/2"  
- Sap Code: JUMBO 111

12 Update Or Remove

HERE YOU CAN CHECK THE COMPLETE ENQUIRY. IF YOU WANT TO ADD OR REMOVE ANY ITEM IT CAN BE DONE AT THIS STAGE ALSO.

CLICK ON "CHECK OUT" TO PLACE THE ENQUIRY

Continue Checkout

Quick Find

Search

Use keywords to find the product you are looking for.





Cart Contents (42)

Home | My Cart

Checkout

### Checkout

#### Account Details

E-Mail Address:

First Name:

Last Name:

Street Address:

Suburb:

City:

State/Province:

Post Code:

Country:

Telephone Number:

FILL ALL THE  
DETAILS MENTIONED  
FOR FUTURE CORRESPONDENCE  
FROM BAJAJ STEEL IND LTD  
NAGPUR AND CLICK ON  
"CHECKOUT"

Checkout

Back

Quick Find

Search input field with Search button

Use keywords to find the product you are looking for.







Cart Contents (42)

Home My Cart

Checkout

Checkout

Shipping Address:

AMIT ASWAR  
IMAMBADA ROAD  
NAGPUR  
NAGPUR, 440018  
MAHARASHTRA, India

Change Address

Billing Address:

AMIT ASWAR  
IMAMBADA ROAD  
NAGPUR  
NAGPUR, 440018  
MAHARASHTRA, India

Change Address

Add Comments About Your Order

PLEASE SEND SPARE PRICE LIST FOR BALE PRESS 15 ~~88h~~ DOWNPACKING

Attach File (\*.xls, \*.pdf, \*.doc)

Select Files or Drag&Drop Files

Add files Start upload Remove all

Continue

ONCE THE ENQUIRY IS SUBMITTED CUSTOMER WILL GET ACKNOWLEDGEMENT MAIL AND SAME MAIL WILL BE RECEIVED BY BSIL SPARE DEPT.

WE CAN ENTER ANY TEXT MESSAGE OR SPECIFIC REQUIREMENT

WE CAN ADD PHOTOS OF ANY PART WHICH IS NOT CLEAR

**THANK YOU**

**BAJAJ STEEL INDUSTRIES LTD  
NAGPUR**